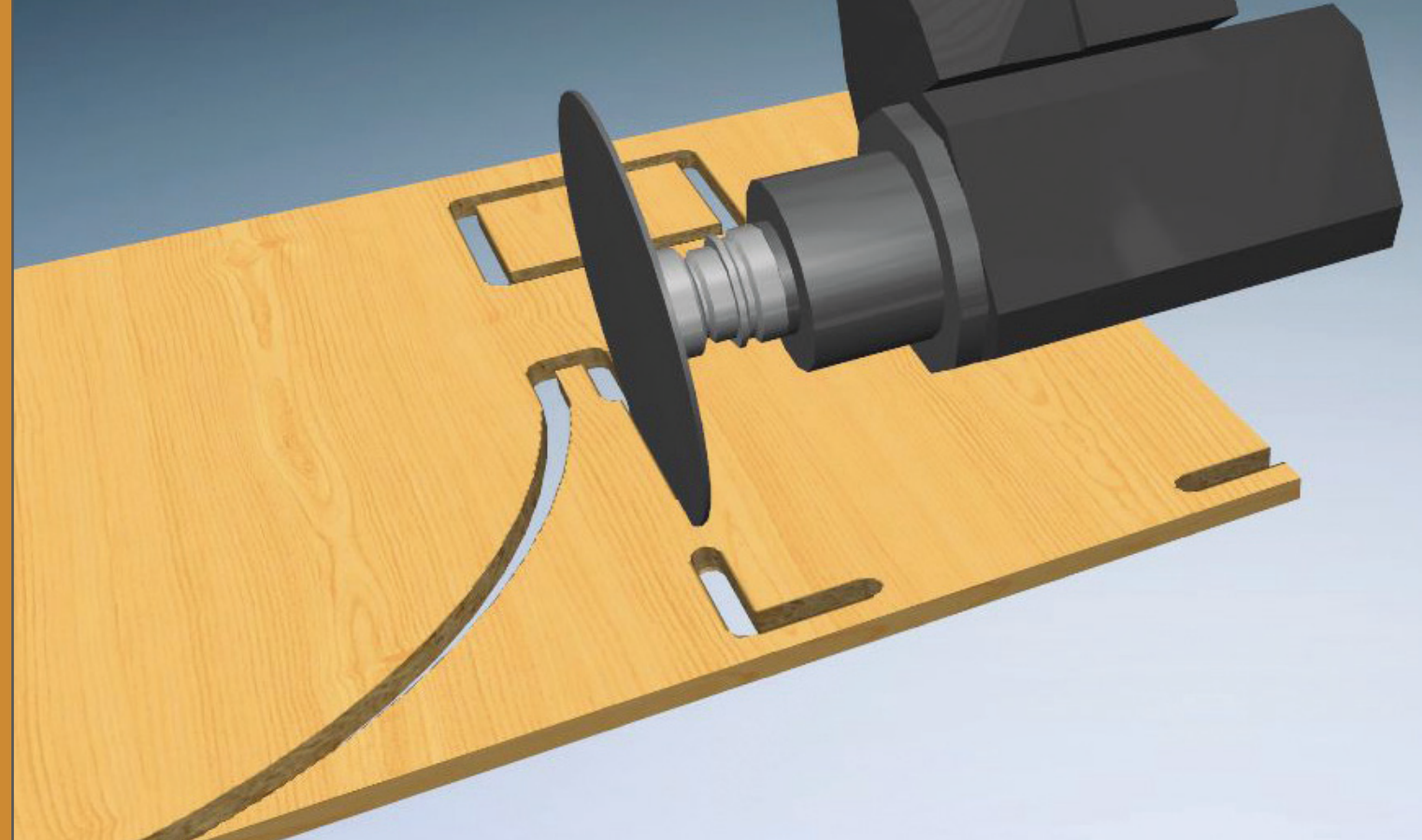




© HOMAG Group

COBUS Nesting

Highly efficient



CAD / CAM



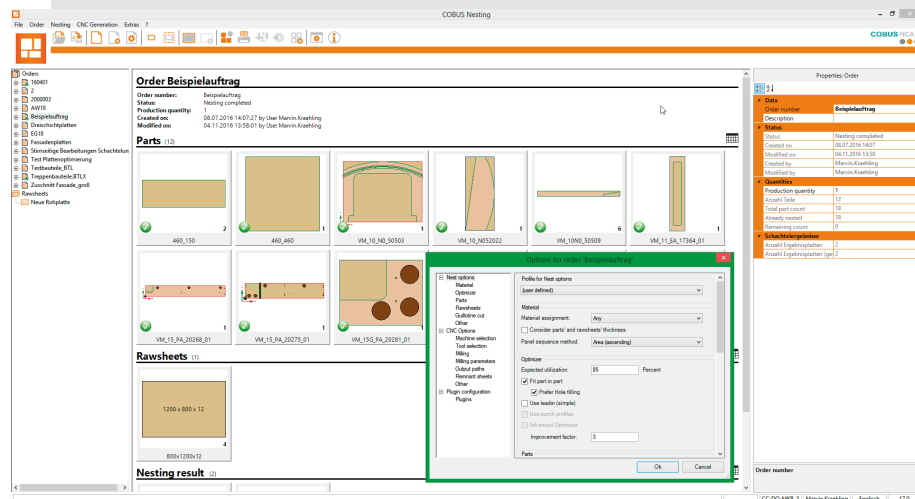
Professional nesting software

In the manufacturing industry, nesting refers to the process of laying out cutting patterns to minimize raw material waste.

The key component of the nesting process is a fully integrated software solution. COBUS Nesting is a high-quality software that allows for waste minimization and the processing of individual shapes.

COBUS nesting is an all-round talent offering various imports, a combination of drilling and milling as well as automatic label printing.

In the end, COBUS Nesting saves material costs and time.



Your benefits at a glance

- Nesting library (64-Bit)
 - Nesting of construction files
 - Calculation of necessary raw panels
 - Calculation and display of scrap
 - Display of current state and target state of the components in nesting
 - Automatic scrap management
 - Automatic label printing
 - Data transfer from flexible parts lists and ERP-systems
 - Data transfer from Excel
 - Plug-in options for customized add-ons
 - Processing segmentation (e.g. horizontal processing)
 - Calculation of the processing sequence
 - All-automatic CNC program generation
- Your benefits: Save time and money!

This is COBUS ConCept:
A German IT company of system engineers who have been reliable partner to wood-working manufacturers for more than 25 years. They offer professional systems and solutions, design and optimize databased business processes and integrate bespoke software solutions for CAD/CAM automation techniques.



Your Success.
Our Motivation.



Central Offices
COBUS ConCept
Nickelstraße 21
33378 Rheda-Wiedenbrück
Germany
Phone: +49 5242 4054-0
Fax: +49 5242 4054-199
E-Mail: info@cobus-concept.de
Web: <http://www.cobus-concept.de>

Further offices in
COBUS ConCept
Haus Uhlenkotten 26
48159 Münster
Germany
Phone: +49 5242 4054-16600
Fax: +49 5242 4054-16699
E-Mail: info@cobus-systems.de

COBUS ConCept
Alter Hellweg 50
44379 Dortmund
Germany
Phone: +49 231 997792-0
Fax: +49 231 997792-92
E-Mail: dortmund@cobus-concept.de

Stand: 04/2017 (CS-P-106-de)
Dokumente früheren Datums verlieren ihre Gültigkeit.
Technische Änderungen und Irrtümer vorbehalten.

Guillotine cut

User-friendly

CAD/CAM

COBUS Nesting

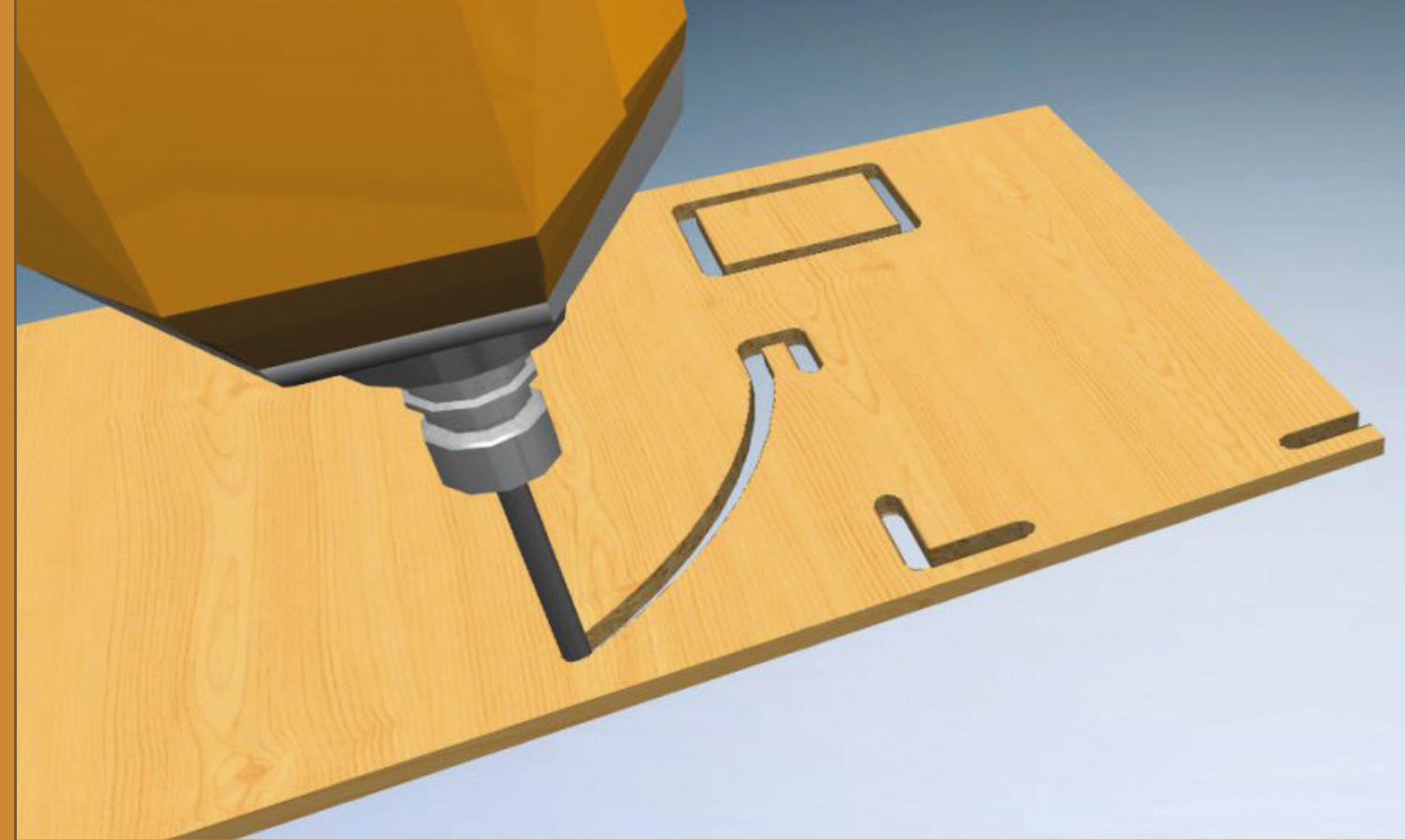
tool path

Common Line Cutting

New Features

2018

save money



Save time

Design-to-Machine

Based on Microsoft® .NET COBUS Nesting has been developed from scratch. The result is a user-oriented, clear, and intuitive surface. The fast 64bit nesting library operates in the background. Our nesting software generates order-related and mostly automatic CNC programs considering all the information of the individual component such as grain angles, step angles, and machining definition.

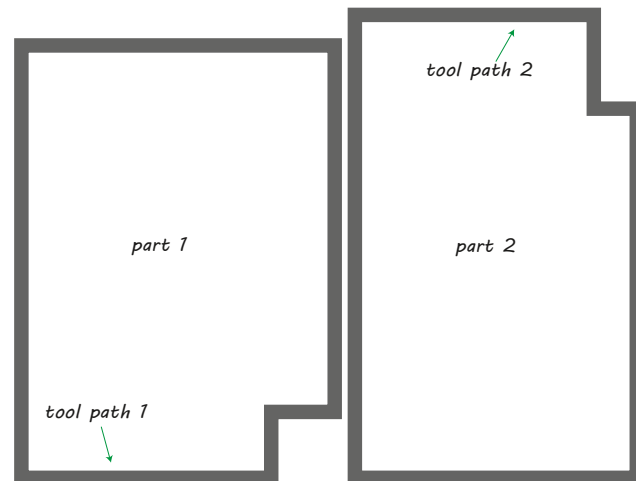
Data import

A brand new feature is the direct import of a nesting component from DXF files with a layered structure. Moreover, this feature allows for the integration of the production order from an ERP system importing individual components combining them to nesting orders (depending on material).

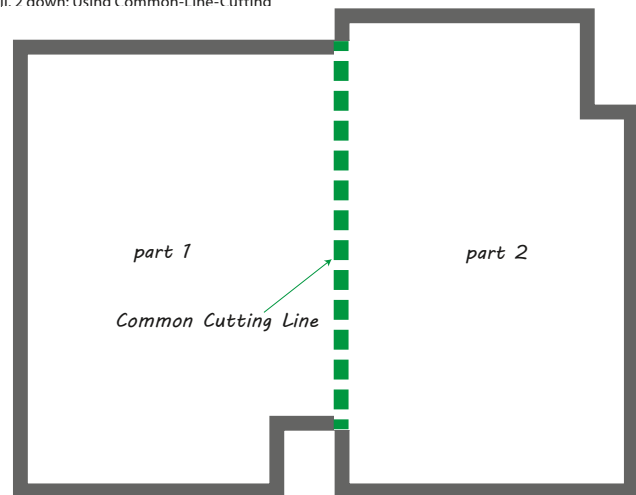
Nesting strategies

Sawing and drilling are nesting strategies formatting individual components. The milling cutter initially pre-mills edges, short and straight segments, and the arcs of the outer contours. Tool optimization considers the rotation angle, if required.

Common-Line-Cutting minimizes the separation



ill. 1 up: Tool path of neighboring components
ill. 2 down: Using Common-Line-Cutting



ill. 3: Option sawing and milling

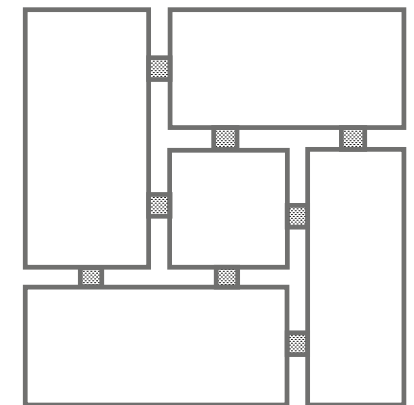
cuts considering the common milling paths. This saves up to 30% of your time.

Ridge milling completely avoids the outer contour. Customize the starting point according to your individual requirements.

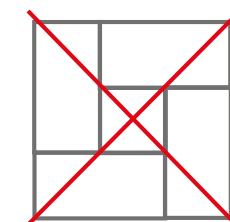
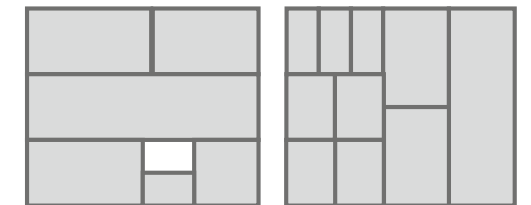
The **Guillotine cut** ensures the efficient distribution of rectangular panels provided that the mill is able to make rectangular cuts.

Documents and labels

In order to manage the distribution of panels, the program generates all the necessary documents. Customize and print your reports such as material notes, drafts or statistical evaluation. In case you remove components from stock, the software automatically generates barcode labels.



ill. 4: Cutting pattern including bar placement



Such nesting pattern is not possible with the Guillotine-Cut.